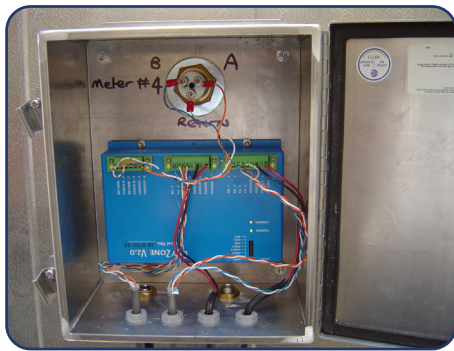


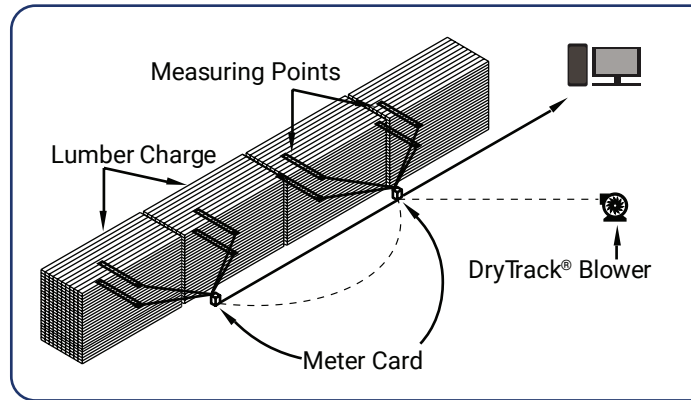
DryTrack® is an advanced, user-friendly, and highly precise capacitance-based system for measuring and monitoring moisture content in lumber drying kilns. It eliminates the uncertainty in assessing lumber dryness and deciding when to shut down batch kilns, ensuring consistent results across different charges and operators.

Over the past two decades of global service, DryTrack® has proven its durability and reliability across a spectrum of environments—from low to ultra-high temperatures, handling extremes up to nearly 400°F. Its design ensures ruggedness, precision, and repeatability, making it an indispensable tool in any kiln setting.



DryTrack® Metering Cards: This is where the data is processed and then sent to the control room. The meter cards are installed in aluminum NEMA 4 enclosures on the outside of the kiln walls close to each measuring point. A low-pressure air system keeps the enclosures and meter cards cool and dry by maintaining a slight positive pressure inside the meter box. This environment ensures a long life for the measuring cards and enables us to offer a 3-year warranty, the longest in the industry.

The cards are located close to the measuring points to minimize the possibility of interference in the capacitance readings between the lumber being measured and the card.



Features:

Real-Time Moisture Content Monitoring: Ensure precise drying and consistent lumber quality.

Robust and Reliable: Designed for various temperature ranges, suitable for most kiln types.

Improved Throughput: Achieve faster drying times without sacrificing lumber quality.

Advanced Control System: Integrate seamlessly with existing kiln operations for efficient control.

Benefits:

Quality Enhancement: Minimize lumber degrade and improve grade recovery.

Efficiency Gains: Reduce over-drying, saving time and energy.

Safety and Reliability: Reduce hot checks and kiln restarts, ensuring operator safety.

Environmental Consideration: Lower VOC emissions by eliminating over-drying.

DryTrack® BDK Measurement Point: Metal clamps with an attached wire are used to connect the DryTrack® Plates to the Metering Cards.

